

Pressure balanced valve without diverter - Platinum

SERIES SPECIFIC

36 900 660 Product version from 5/1/2024

- cover plate Ø 150 mm



Fits: TARA, META

	Platinum	36 900 660-08
	Chrome	36 900 660-00
	Brushed Platinum	36 900 660-06
	Dark Chrome	36 900 660-19
	Light Gold (PVD)	36 900 660-26
	Brushed Light Gold (PVD)	36 900 660-27
	Brushed Durabronze (23kt Gold)	36 900 660-28
	Matte Black	36 900 660-33
	Brushed Gold (PVD)	36 900 660-37
	Brushed Dark Brass (PVD)	36 900 660-39
	Brushed Bronze (PVD)	36 900 660-42
	Brushed Dark Bronze (PVD)	36 900 660-43
	Brushed Champagne (22kt Gold)	36 900 660-46
	Champagne (22kt Gold)	36 900 660-47
	Brushed Chrome	36 900 660-93
	Brushed Dark Platinum	36 900 660-99

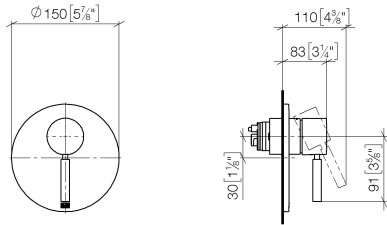
Required miscellaneous



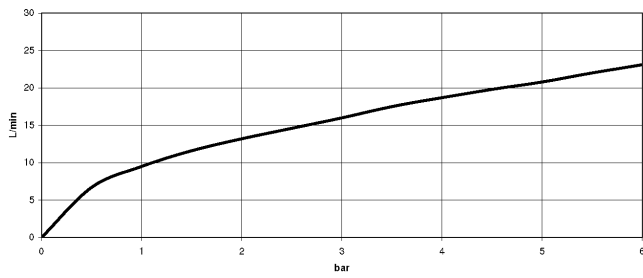
- Pressure balanced valve -** 35 920 970 90
- min. recess depth 80 mm
 - max. recess depth 105 mm

36 900 660 Product version from 5/1/2024

mm [inches]



Flow rate chart



Codes & Standards

ASME A112.18.1 cUPC



Pressure balanced valve without diverter - Platinum

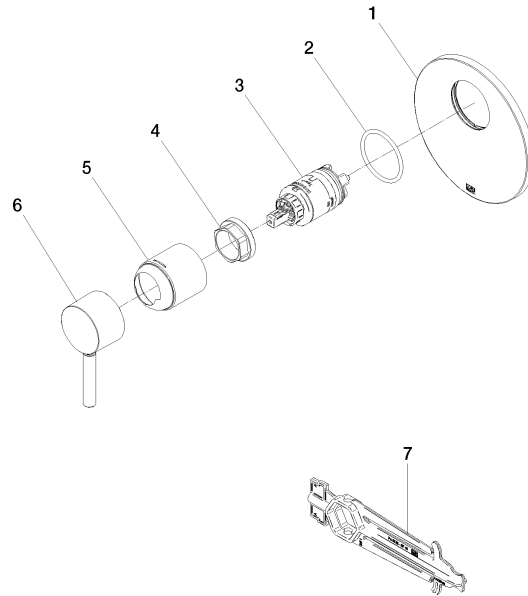
SERIES SPECIFIC

36 900 660 Product version from 5/1/2024

Certificates and sustainability

IAPMO_4976 (EPD-DOR-20230287
-IBA1-EN
Environmental.prod
uct-declarat

36 900 660 Product version from 5/1/2024



Spare parts list

No.	Item Number	Name	Quantity used	Delivery time
2	09 14 10 084 90	seal	1.00	2
7	90 30 09 064 00 90	key	1.00	2
6	09 11 02 260-08	sleeve	1.00	40
1	09 11 02 262-08	plate	1.00	40
4	09 24 04 448 90	nut	1.00	2
5	90 20 66 004 00-08	handle	1.00	40
3	90 15 05 069 00 90	cartridge	1.00	2